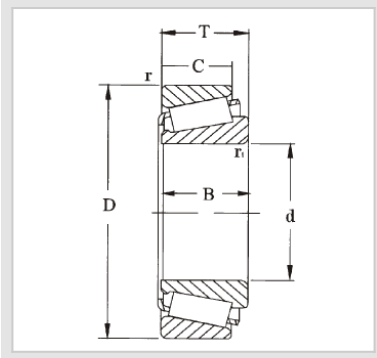


Single Row
Tapered Roller
Bearing
33000 Tapered
Roller
Bearing-33016/Q



WUXI GUANGQIANG BEARING TRADE CO.,LTD



Designation	33016/Q
Principal dimensions [mm]	
d1	80
D	125
B	36
Basic load ratings [kN]	
dyc(Cr)	168
stc(Cor)	285
Pu	32
Speed ratings [rpm]	
Speed Ratings	3600
Limiting Speed	5000
Weight(Kg)	1.65
ISO335	
Dimensions (ABMA)	2CE
Dimensions [mm]	
d	80
d1	102
B	36
C	29.5
r1,2(min)	1.5
r3,4(min)	1.5
a	26
Abutment and fillet dimensions [mm]	
da(max)	90
db(min)	87
Da(min)	112
Da(max)	117
Db(min)	119
Ca(min)	6
Cb(min)	6.5
ra(max)	1.5
rb(max)	1.5
Value	
e	0.28
Y	2.1
Yo	1.1

GQZ bearings wholesale high quality 33000 Single Row Tapered Roller Bearing

The dimensions of 33030 tapered roller bearings are 150mm inner diameter, 225mm outer diameter and 59mm width.

33000 tapered roller bearings belong to a kind of tapered roller bearings, with the following characteristics:

1□Structural characteristics: 33000 tapered roller bearings of the inner ring raceway surface, outer ring raceway surface and roller rolling surface of each tapered surface of the apex intersects in the bearing centerline at a point, this design makes the bearing can withstand radial load mainly radial and axial joint load. Bearing inner and outer rings have tapered raceway, according to the number of installed roller columns are divided into single-row, double-row and four-row and other different structural types. Single row tapered roller bearings can withstand radial loads and single direction axial loads, but when the bearing with radial loads, will produce an axial force, so usually need another can withstand the opposite direction of axial force bearing to balance.

2□Use characteristics: 33000 tapered roller bearings are mainly used to withstand heavy loads and shock loads, and are suitable for withstanding radial loads mainly in the combined load situation. These bearings are designed so that the rollers can better adapt to the eccentricity or tilting of the shaft and housing, so they are very useful in applications that require high load carrying capacity and good shock resistance.

3□Cage: The cages of tapered roller bearings are usually stamped cages, which are designed to help keep the rollers in the correct position and also to facilitate lubrication and heat dissipation in the bearings.

4□Material: The bearing material is usually high carbon chrome bearing steel, such as GCr15, which has good wear resistance and hardness and can meet the requirements of high load and high speed operation.

5□Application: 33000 tapered roller bearings are widely used in a variety of mechanical equipment, such as machine tools, automotive, aerospace and other fields, where some specific types of bearings are also able to adapt to the needs of high-speed operation.

In summary, 33000 tapered roller bearings play an important role in various industrial applications with its unique structural design, excellent load carrying capacity, wide applicability and other characteristics.

Wuxi Guangqiang Bearing Trade Co.,Ltd-Tel:86-510-82601571-
Email:gq@gqbearing.com,shary@gqbearing.com-http://www.bearing-asia.com