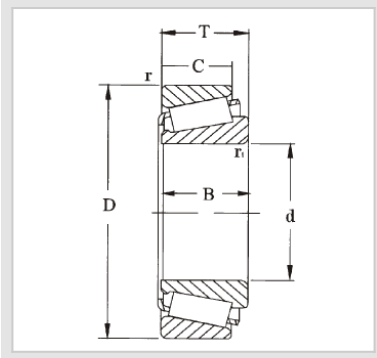


Single Row
Tapered Roller
Bearing
33200 Tapered
Roller
Bearing-33209/Q



WUXI GUANGQIANG BEARING TRADE CO.,LTD



Designation	33209/Q
Principal dimensions [mm]	
d1	45
D	85
B	32
Basic load ratings [kN]	
dyc(Cr)	108
stc(Cor)	143
Pu	16.3
Speed ratings [rpm]	
Speed Ratings	5300
Limiting Speed	7500
Weight(Kg)	0.82
ISO335	
Dimensions (ABMA)	3DE
Dimensions [mm]	
d	45
d1	65.2
B	32
C	25
r1,2(min)	1.5
r3,4(min)	1.5
a	22
Abutment and fillet dimensions [mm]	
da(max)	52
db(min)	52
Da(min)	72
Da(max)	78
Db(min)	81
Ca(min)	5
Cb(min)	7
ra(max)	1.5
rb(max)	1.5
Value	
e	0.4
Y	1.5
Yo	0.8

GQZ bearings wholesale high quality 33200 Single Row Tapered Roller Bearing

The characteristics of 33200 tapered roller bearings mainly include the ability to withstand large combined radial and axial loads, as well as pure axial loads.

These bearings have a compact structural design with contact angles, so it is often necessary to use two sets of bearings in pairs to achieve preload and adjust the clearance. 33200 tapered roller bearings can withstand high radial forces and axial loads in both directions due to their unique structural design, which is particularly suitable for heavy loads and high speeds. In addition, the rolling bodies of these bearings are of tapered roller design, which can reduce the friction between the rolling bodies and the raceways, reduce the wear and increase the service life of the bearings. The inner and outer rings of the bearings are made of high-strength alloy steel, which undergoes precision grinding and heat treatment processes to provide high hardness and wear resistance. Meanwhile, the bearings have good sealing performance, which can effectively prevent the intrusion of dust, moisture and other impurities and ensure the normal operation of the bearings in harsh environments. These features make 33200 tapered roller bearings widely used in various heavy load, high speed, high precision transmission occasions.

Wuxi Guangqiang Bearing Trade Co.,Ltd-Tel:86-510-82601571-
Email:gq@gqbearing.com,shary@gqbearing.com-http://www.bearing-asia.com