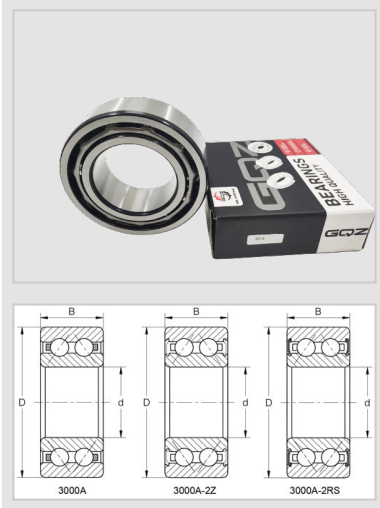


Double Row
Angular Contact
Ball Bearings
3000A-2Z Series
angular contact
ball
bearings-3815A-2Z



WUXI GUANGQIANG BEARING TRADE CO.,LTD



Designation	3815A-2Z
Principal Dimensions(mm)	
d	75
D	95
B	15
Basic Load Ratings(KN)	
Dynamic(Cr)	16
Static(Cor)	20.3
Limited Speed(rpm)	
Grease	4200
Oil	-
Weight	
(kg)	0.224

GQZ bearings wholesale high quality 3000A-2Z Series Double Row Angular Contact Ball Bearings

The 3000A-2Z series bearings include models such as 3000-2RS, 3200-2RS, 3302A-2Z, etc. These models of bearings belong to angular contact ball bearings, with specific size parameters and applications, and are widely used in various mechanical equipment. For example, the 3000-2RS bearing belongs to the Z1-Z3 group, while the 3302A-2Z bearing is one of the angular contact ball bearing series. In addition, there are other related models such as 3212A-RSTN1 bearings, QJ330 bearings, 3309-2RS bearings, etc.

The dimensional parameters of 3000A-2RS series bearings include inner diameter of 10mm, outer diameter of 26mm and thickness of 12mm.

Wuxi Guangqiang Bearing Trade Co.,Ltd-Tel:86-510-82601571-
Email:gq@gqbearing.com,shary@gqbearing.com-http://www.bearing-asia.com