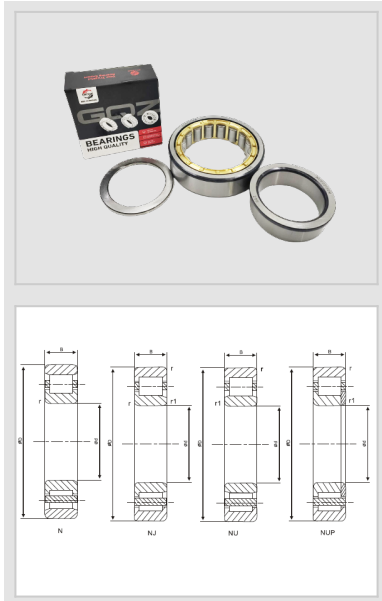


NUP Series
NUP200 Series
cylindrical roller
bearing-NUP208



WUXI GUANGQIANG BEARING TRADE CO.,LTD



Designation	NUP208
Principal Dimensions(mm)	
d	40
D	80
B	18
rs min	1.1
rs1 min	1.1
Basic Load Ratings(KN)	
Dynamic(Cr)	43.5
Static(Cor)	43
Limited Speed(rpm)	
Grease	9400
Oil	11000
Weight	
(kg)	0.378

GQZ bearings wholesale high quality NUP200 Series Cylindrical Roller Bearing

The main dimensions of NUP200 series cylindrical roller bearings include an inner diameter of 10mm, an outer diameter of 30mm and a thickness of 9mm.

NUP200 series bearings belong to a type of cylindrical roller bearings, specifically the NUP200 model, which is designed mainly to support the rotating parts of the equipment, and is able to withstand large loads and vibrations, especially suitable for occasions where the rotating shaft needs to be supported. The design of these bearings allows for unidirectional axial loads while also providing good support in the radial direction.

NUP200 series bearings are a type of cylindrical roller bearings with the following characteristics:

Range of bore diameters: NUP200 series bearings typically have bore diameters between 10 and 25mm, making them suitable for a wide range of application scenarios.

Wide range of applications: These bearings are suitable for a wide range of equipment and machinery, including but not limited to plate tanning machines, medical lathes, chemical equipment parts, vibratory dryers, sand making machinery, plastics machinery, electrolysis equipment, multi-stage speed reducers, tape cutters, machine tool screws, slotting machines, pharmaceutical equipment, grain processing equipment, electrolysis tanks, drying equipment, dryers, gluing machines equipment, drying machine, gluing machine, cross-flow cooling tower and so on.

QUALITY AND PERFORMANCE: NUP200 series bearings meet the requirements of durability, stability and precision of bearings in various industrial applications with their excellent quality and performance.

NUP200-Series-cylindrical-roller-bearing-NUP208

Wuxi Guangqiang Bearing Trade Co.,Ltd-Tel:86-510-82601571-
Email:gq@gqbearing.com,shary@gqbearing.com-http://www.bearing-asia.com