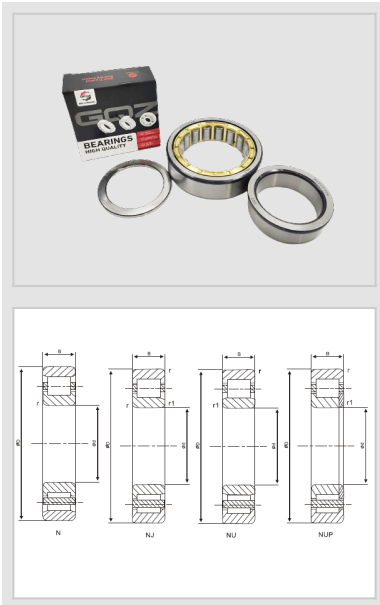


NUP Series
NUP2200 Series
cylindrical roller
bearing-NUP2211



WUXI GUANGQIANG BEARING TRADE CO.,LTD



Designation	NUP2211
Principal Dimensions(mm)	
d	55
D	100
B	25
rs min	1.5
rs1 min	1.1
Basic Load Ratings(KN)	
Dynamic(Cr)	75.5
Static(Cor)	87
Limited Speed(rpm)	
Grease	6300
Oil	7400
Weight	
(kg)	0.773

GQZ bearings wholesale high quality NUP2200 Series Cylindrical Roller Bearing

NUP2200 bearings are cylindrical roller bearings with an inner diameter of 20mm, an outer diameter of 47mm and a width of 18mm. These bearings are suitable for carrying radial loads as well as axial loads in both directions, and are usually used in application scenarios where heavy loads and shock loads need to be carried. The design of the cylindrical roller bearings allows them to adjust automatically in the event of shaft or housing deflection without increasing the bearing load and has a better alignment function.

NUP2200 series bearings are a kind of cylindrical roller bearings with the following characteristics:

Strong ability to bear radial load: compared with deep groove ball bearings of the same size, cylindrical roller bearings have larger radial load capacity.

Limiting speed close to deep groove ball bearings: despite the greater radial load capacity of cylindrical roller bearings, their limiting speed is similar to that of deep groove ball bearings, which makes them suitable for application scenarios requiring higher speeds.

Allow axial displacement of the shaft relative to the bearing box in both directions: NUP cylindrical roller bearings allow axial displacement of the shaft relative to the bearing box in both directions, i.e., they can withstand the length change of the shaft caused by thermal expansion, so they are suitable as non-locating bearings.

Can withstand large radial load, but can not withstand axial load: Although NUP type cylindrical roller bearings can withstand a certain amount of axial load or large intermittent axial load, but its main design purpose is to withstand radial load, rather than axial load.

High precision grade: Cylindrical roller bearings are available in a variety of precision grades, such as PO, P6, P5, P4, P2, which are suitable for a variety of application requirements.

Separable structure of inner and outer rings: Cylindrical roller bearings usually have a separable structure of inner and outer rings, which is easy to install and dismantle, especially when damaged parts need to be replaced.

NUP2200 series bearings are part of NUP type cylindrical roller bearings, inheriting the above features, which are especially suitable for large and medium-sized electric motors, rolling stock and other application scenarios that need to withstand large radial loads. In addition, this series of bearings also has high durability and reliability, which can meet the needs of long-term stable operation in various industrial applications.

Wuxi Guangqiang Bearing Trade Co.,Ltd-Tel:86-510-82601571-
Email:gq@gqbearing.com,shary@gqbearing.com-http://www.bearing-asia.com